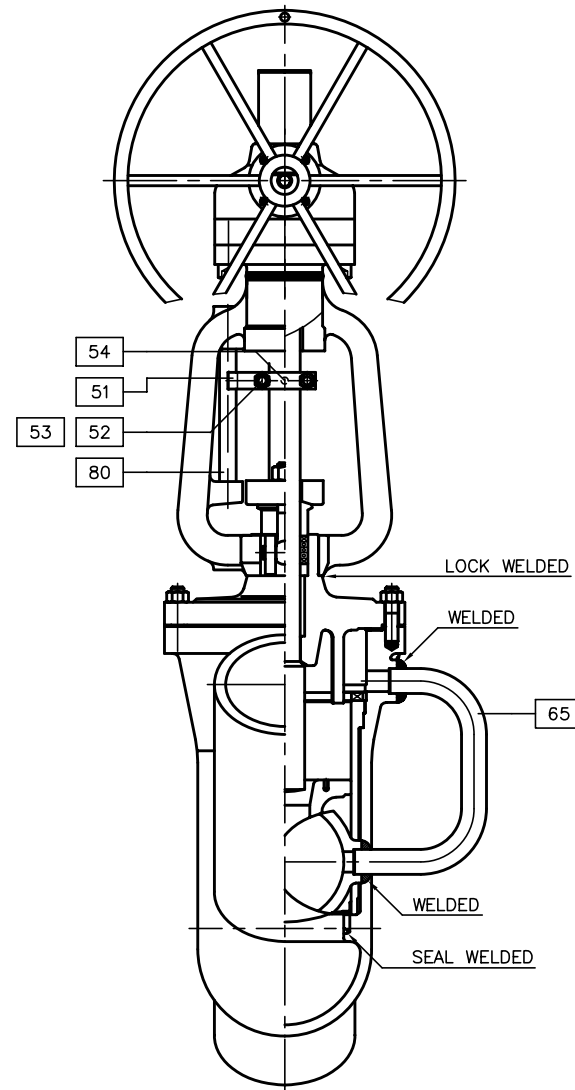
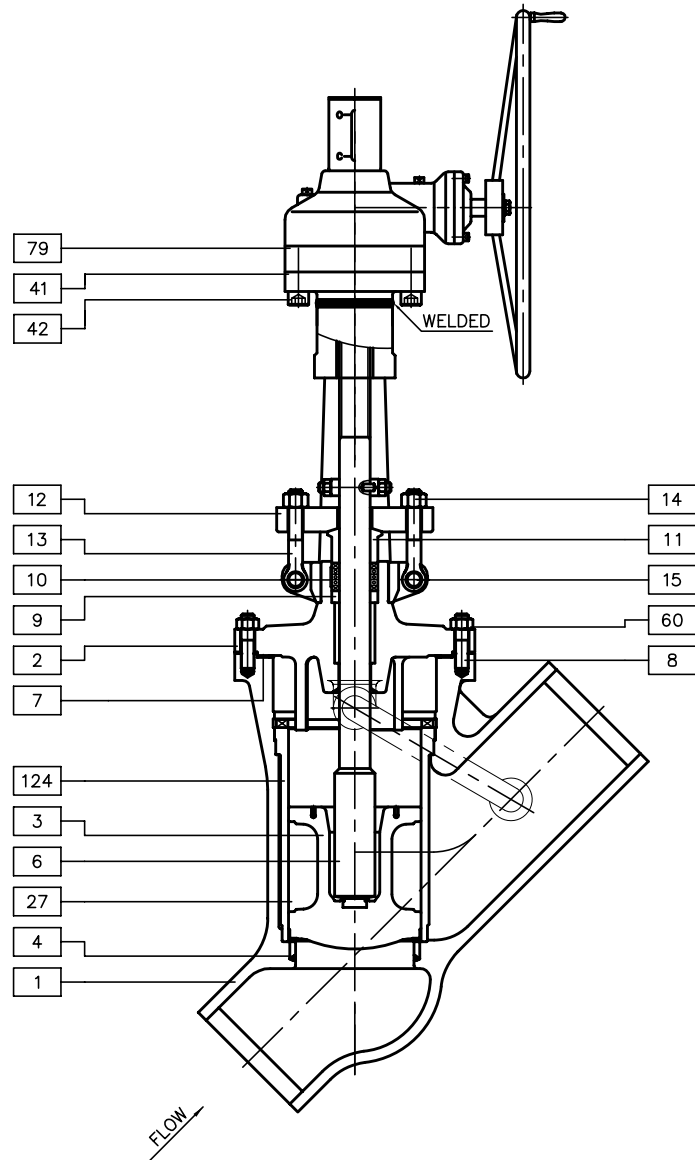


Y-STOP CHECK VALVE

CLASS 150, 300, 600, OS&Y
 BOLTED BONNET, BUTT WELDING ENDS, GOV



MATERIAL PARTS LIST		
ITEM	DESCRIPTION	Q'TY
1	BODY	1
2	BONNET	1
3	DISC	1
4	SEAT RING	1
6	STEM	1
7	GASKET	1
8	BONNET BOLT	1SET
9	PACKING WASHER	1
10	GLAND PACKING (ENDS)	1SET
	GLAND PACKING (INTER.)	
11	GLAND	1
12	GLAND FLANGE	1
13	GLAND BOLT	2
14	GLAND BOLT PIN	2
15	RETAINING RING	4
24	NAMEPLATE	1
27	DISC CENTER	1
31	YOKE	1
41	MOUNTING FLANGE	1
42	MOUNTING BOLT	1SET
47	TAG PLATE	1
51	GUIDE PLATE	1SET
52	GUIDE PLATE BOLT	2
53	GUIDE PLATE BOLT NUT	4
54	GUIDE PLATE BOLT PIN	2
60	BONNET BOLT NUT	1SET
65	EQUALIZING PIPE	1SET
79	GEAR ACTUATOR	1SET
80	GUIDE BAR	1
124	DISC GUIDE	1
125	DISC STOPPER	1

